**Product number FCN15209_RONDA-WAS**

Family	Ronda	FWHM	(simulated) Asymmetric
Type	Assembly	Efficiency	(simulated) 86 %
LED	CXA/B 1816 & CXA/B 1820 & CXA 1850	cd/lm	(simulated) 0.900
Color	White	Gerber File	Available
Diameter	69.9 mm	Developed especially for wall washing applications at ~1:3 ratio assembly setup.	
Height	25.42 mm		
Style	Round		
Optic Material	-		
Holder Material	-		
Fastening	["snaps", "socket", "clips", "screw"]		
Status	Production ready		

Product number FCN15302_RONDA-WW

Family	Ronda	FWHM	(simulated) 63
Type	Assembly	Efficiency	(simulated) 89 %
LED	CXA/B 1816 & CXA/B 1820 & CXA 1850	cd/lm	-
Color	White	Gerber File	Available
Diameter	69.9 mm		
Height	19.8 mm		
Style	Round		
Optic Material	-		
Holder Material	-		
Fastening	["socket", "screw"]		
Status	Production ready		

Product number FCN15303_RONDA-WWW

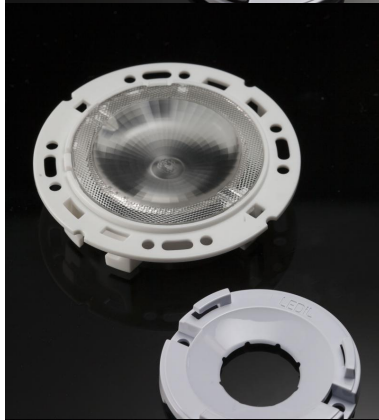
Family	Ronda	FWHM	(simulated) 90
Type	Assembly	Efficiency	(simulated) 87 %
LED	CXA/B 1816 & CXA/B 1820 & CXA 1850	cd/lm	-
Color	White	Gerber File	Available
Diameter	69.9 mm		
Height	19.8 mm		
Style	Round		
Optic Material	-		
Holder Material	-		
Fastening	["screw", "socket"]		
Status	Production ready		

Product number FCN15314_RONDA-WAS

Family	Ronda	FWHM	(simulated) Asymmetric
Type	Assembly	Efficiency	(simulated) 86 %
LED	CXA/B 1816 & CXA/B 1820 & CXA 1850	cd/lm	-
Color	White	Gerber File	Available
Diameter	69.9 mm	Developed especially for wall washing applications at ~1:3 ratio assembly setup.	
Height	25.42 mm		
Style	Round		
Optic Material	-		
Holder Material	-		
Fastening	["socket"]		
Status	Production ready		

**Product number FCN15315_RONDA-WW**

Family	Ronda	FWHM	(simulated) 63
Type	Assembly	Efficiency	(simulated) 89 %
LED	CXA/B 1816 & CXA/B 1820 & CXA 1850	cd/lm	-
Color	White	Gerber File	Available
Diameter	69.9 mm		
Height	19.8 mm		
Style	Round		
Optic Material	-		
Holder Material	-		
Fastening	["socket"]		
Status	Production ready		

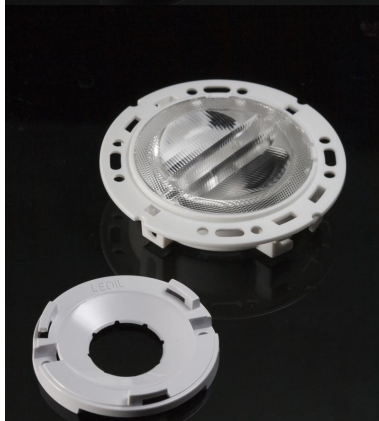
**Product number FCN15316_RONDA-WWW**

Family	Ronda	FWHM	(simulated) 90
Type	Assembly	Efficiency	(simulated) 87 %
LED	CXA/B 1816 & CXA/B 1820 & CXA 1850	cd/lm	-
Color	White	Gerber File	Available
Diameter	69.9 mm		
Height	19.8 mm		
Style	Round		
Optic Material	-		
Holder Material	-		
Fastening	["socket"]		
Status	Production ready		

**Product number FCN15357_RONDA-ZT45**

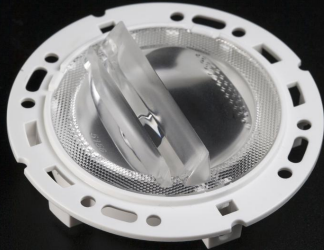
Family	Ronda	FWHM	(simulated) Asymmetric
Type	Assembly	Efficiency	(simulated) 87 %
LED	CXA/B 1816 & CXA/B 1820 & CXA 1850	cd/lm	-
Color	White	Gerber File	Available
Diameter	69.9 mm		
Height	20.66 mm		
Style	Round		
Optic Material	-		
Holder Material	-		
Fastening	["socket"]		
Status	Production ready		

Double asymmetric beam. Developed especially for wall washing, corridor and supermarket applications @ ~1:2 ratio aisle assemblies (aisle width = wall height).

**Product number FCN15366_RONDA-ZT45**

Family	Ronda	FWHM	(simulated) Asymmetric
Type	Assembly	Efficiency	(simulated) 87 %
LED	CXA/B 1816 & CXA/B 1820 & CXA 1850	cd/lm	-
Color	White	Gerber File	Available
Diameter	69.9 mm		
Height	20.66 mm		
Style	Round		
Optic Material	-		
Holder Material	-		
Fastening	""		
Status	Production ready		

Double asymmetric beam. Developed especially for wall washing, corridor and supermarket applications @ ~1:2 ratio aisle assemblies (aisle width = wall height).


Product number FN15380_RONDA-WAS

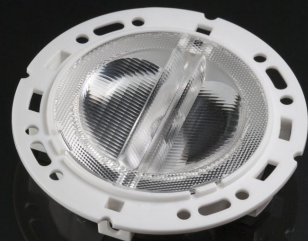
Family	Ronda	FWHM	(simulated) Asymmetric
Type	Assembly	Efficiency	-
LED	CXA/B 1816 & CXA/B 1820 & CXA 1850	cd/lm	-
Color	White	Gerber File	Available
Diameter	69.9 mm	Developed especially for wall washing applications at ~1:3 ratio assembly setup.	
Height	22.3 mm		
Style	Round		
Optic Material	PMMA		
Holder Material	-		
Fastening	["socket"]		
Status	Production ready		


Product number FN15381_RONDA-WWW

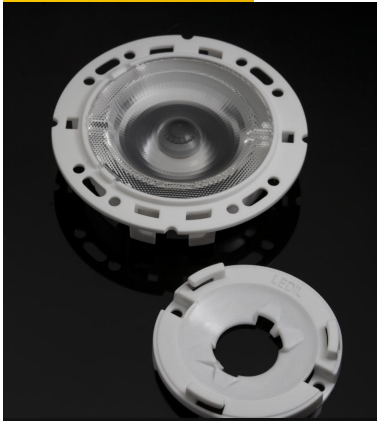
Family	Ronda	FWHM	(simulated) 84
Type	Assembly	Efficiency	(simulated) 84 %
LED	CXA/B 1816 & CXA/B 1820 & CXA 1850	cd/lm	-
Color	White	Gerber File	Available
Diameter	69.9 mm		
Height	14.6 mm		
Style	Round		
Optic Material	PMMA		
Holder Material	-		
Fastening	["socket"]		
Status	Production ready		


Product number FN15387_RONDA-WW

Family	Ronda	FWHM	(simulated) 57
Type	Assembly	Efficiency	(simulated) 85 %
LED	CXA/B 1816 & CXA/B 1820 & CXA 1850	cd/lm	-
Color	White	Gerber File	Available
Diameter	69.9 mm		
Height	14.6 mm		
Style	Round		
Optic Material	PMMA		
Holder Material	-		
Fastening	""		
Status	Production ready		


Product number FN15388_RONDA-ZT45

Family	Ronda	FWHM	(simulated) Asymmetric
Type	Assembly	Efficiency	-
LED	CXA/B 1816 & CXA/B 1820 & CXA 1850	cd/lm	-
Color	White	Gerber File	Available
Diameter	69.9 mm	Double asymmetric beam. Developed especially for wall washing, corridor and supermarket applications @ ~1:2 ratio aisle assemblies (aisle width = wall height).	
Height	15.4 mm		
Style	Round		
Optic Material	PMMA		
Holder Material	-		
Fastening	""		
Status	Production ready		

**Product number FCN15499_RONDA-W**

Family	Ronda	FWHM	(simulated) 48
Type	Assembly	Efficiency	88 %
LED	CXA/B 1816 & CXA/B 1820 & CXA 1850	cd/lm	-
Color	White	Gerber File	Available
Diameter	69.9 mm		
Height	19.8 mm		
Style	Round		
Optic Material	-		
Holder Material	-		
Fastening	""		
Status	Production ready		

**Product number FN15552_RONDA-W**

Family	Ronda	FWHM	(simulated) 45
Type	Assembly	Efficiency	87 %
LED	CXA/B 1816 & CXA/B 1820 & CXA 1850	cd/lm	-
Color	White	Gerber File	Available
Diameter	69.9 mm		
Height	14.6 mm		
Style	Round		
Optic Material	PMMA		
Holder Material	-		
Fastening	""		
Status	Production ready		

**Product number FCN15621_RONDA-W**

Family	Ronda	FWHM	(simulated) 48
Type	Assembly	Efficiency	88 %
LED	CXA/B 1816 & CXA/B 1820 & CXA 1850	cd/lm	-
Color	White	Gerber File	Available
Diameter	69.9 mm		
Height	19.8 mm		
Style	Round		
Optic Material	-		
Holder Material	-		
Fastening	""		
Status	Production ready		

**Product number FN15679_RONDA-S**

Family	Ronda	FWHM	(simulated) 27
Type	Assembly	Efficiency	(simulated) 85 %
LED	CXA/B 1816 & CXA/B 1820 & CXA 1850	cd/lm	-
Color	White	Gerber File	Available
Diameter	69.9 mm		
Height	14.6 mm		
Style	Round		
Optic Material	PMMA		
Holder Material	-		
Fastening	["screw"]		
Status	Sample approved		

**Product number FN15731_RONDA-WAS-B**

Family	Ronda	FWHM	(simulated) Asymmetric
Type	Assembly	Efficiency	(simulated) 86 %
LED	CXA/B 1816 & CXA/B 1820 & CXA 1850	cd/lm	(simulated) 0.900
Color	White	Gerber File	Available
Diameter	69.9 mm	BJB 47.319.2xxx 50mm / Stucchi 8xxx/G2 50mm / Ideal chip lok jr compatible	
Height	22.3 mm		
Style	Round		
Optic Material	PMMA	Developed especially for wall washing applications at ~1:3 ratio assembly setup.	
Holder Material	-		
Fastening	["socket"]		
Status	Sample approved		

Product number FN15731_RONDA-WAS-B

Family	Ronda	FWHM	(simulated) Asymmetric
Type	Assembly	Efficiency	(simulated) 86 %
LED	CXA/B 1816 & CXA/B 1820 & CXA 1850	cd/lm	(simulated) 0.900
Color	White	Gerber File	Available
Diameter	69.9 mm	BJB 47.319.2xxx 50mm / Stucchi 8xxx/G2 50mm / Ideal chip lok jr compatible	
Height	22.3 mm		
Style	Round		
Optic Material	PMMA	Developed especially for wall washing applications at ~1:3 ratio assembly setup.	
Holder Material	-		
Fastening	["socket"]		
Status	Sample approved		

Product number FN15733_RONDA-ZT45-B

Family	Ronda	FWHM	(simulated) Asymmetric
Type	Assembly	Efficiency	(simulated) 87 %
LED	CXA/B 1816 & CXA/B 1820 & CXA 1850	cd/lm	-
Color	White	Gerber File	Available
Diameter	69.9 mm	BJB 47.319.2xxx 50mm / Stucchi 8xxx/G2 50mm / Ideal chip lok jr (50-20, 50-30) compatible	
Height	15.4 mm		
Style	Round		
Optic Material	PMMA	Double asymmetric beam. Developed especially for wall washing, corridor and supermarket applications @ ~1:2 ratio aisle assemblies (aisle width = wall height)	
Holder Material	-		
Fastening	""		
Status	Sample approved		

Product number FN15733_RONDA-ZT45-B

Family	Ronda	FWHM	(simulated) Asymmetric
Type	Assembly	Efficiency	(simulated) 87 %
LED	CXA/B 1816 & CXA/B 1820 & CXA 1850	cd/lm	-
Color	White	Gerber File	Available
Diameter	69.9 mm	BJB 47.319.2xxx 50mm / Stucchi 8xxx/G2 50mm / Ideal chip lok jr (50-20, 50-30) compatible	
Height	15.4 mm		
Style	Round		
Optic Material	PMMA	Double asymmetric beam. Developed especially for wall washing, corridor and supermarket applications @ ~1:2 ratio aisle assemblies (aisle width = wall height)	
Holder Material	-		
Fastening	""		
Status	Sample approved		

**Product number FN15734_RONDA-S-B**

Family	Ronda	FWHM	(simulated) 27
Type	Assembly	Efficiency	(simulated) 85 %
LED	CXA/B 1816 & CXA/B 1820 & CXA 1850	cd/lm	-
Color	White	Gerber File	Available
Diameter	69.9 mm	BJB 47.319.2xxx 50mm / Stucchi 8xxx/G2 50mm / Ideal chip lok jr (50-20, 50-30) compatible	
Height	14.6 mm		
Style	Round		
Optic Material	PMMA		
Holder Material	-		
Fastening	""		
Status	Sample approved		

**Product number FN15734_RONDA-S-B**

Family	Ronda	FWHM	(simulated) 27
Type	Assembly	Efficiency	(simulated) 85 %
LED	CXA/B 1816 & CXA/B 1820 & CXA 1850	cd/lm	-
Color	White	Gerber File	Available
Diameter	69.9 mm	BJB 47.319.2xxx 50mm / Stucchi 8xxx/G2 50mm / Ideal chip lok jr (50-20, 50-30) compatible	
Height	14.6 mm		
Style	Round		
Optic Material	PMMA		
Holder Material	-		
Fastening	""		
Status	Sample approved		

**Product number FN15735_RONDA-W-B**

Family	Ronda	FWHM	(simulated) 48
Type	Assembly	Efficiency	(simulated) 88 %
LED	CXA/B 1816 & CXA/B 1820 & CXA 1850	cd/lm	-
Color	White	Gerber File	Available
Diameter	69.9 mm	BJB 47.319.2xxx 50mm / Stucchi 8xxx/G2 50mm / Ideal chip lok jr (50-20, 50-30) compatible	
Height	14.6 mm		
Style	Round		
Optic Material	PMMA		
Holder Material	-		
Fastening	""		
Status	Sample approved		

**Product number FN15735_RONDA-W-B**

Family	Ronda	FWHM	(simulated) 48
Type	Assembly	Efficiency	(simulated) 89 %
LED	CXA/B 1816 & CXA/B 1820 & CXA 1850	cd/lm	-
Color	White	Gerber File	Available
Diameter	69.9 mm	BJB 47.319.2xxx 50mm / Stucchi 8xxx/G2 50mm / Ideal chip lok jr (50-20, 50-30) compatible	
Height	14.6 mm		
Style	Round		
Optic Material	PMMA		
Holder Material	-		
Fastening	""		
Status	Sample approved		

**Product number FN15736_RONDA-WW-B**

Family	Ronda	FWHM	(simulated) 62
Type	Assembly	Efficiency	(simulated) 89 %
LED	CXA/B 1816 & CXA/B 1820 & CXA 1850	cd/lm	-
Color	White	Gerber File	Available
Diameter	69.9 mm	BJB 47.319.2xxx 50mm / Stucchi 8xxx/G2 50mm / Ideal chip lok jr (50-20, 50-30) compatible	
Height	14.6 mm		
Style	Round		
Optic Material	PMMA		
Holder Material	-		
Fastening	""		
Status	Sample approved		

Product number FN15736_RONDA-WW-B

Family	Ronda	FWHM	(simulated) 62
Type	Assembly	Efficiency	(simulated) 89 %
LED	CXA/B 1816 & CXA/B 1820 & CXA 1850	cd/lm	-
Color	White	Gerber File	Available
Diameter	69.9 mm	BJB 47.319.2xxx 50mm / Stucchi 8xxx/G2 50mm / Ideal chip lok jr (50-20, 50-30) compatible	
Height	14.6 mm		
Style	Round		
Optic Material	PMMA		
Holder Material	-		
Fastening	""		
Status	Sample approved		

Product number FN15737_RONDA-WWW-B

Family	Ronda	FWHM	(simulated) 90
Type	Assembly	Efficiency	87 %
LED	CXA/B 1816 & CXA/B 1820 & CXA 1850	cd/lm	-
Color	White	Gerber File	Available
Diameter	69.9 mm	BJB 47.319.2xxx 50mm / Stucchi 8xxx/G2 50mm / Ideal chip lok jr (50-20, 50-30) compatible	
Height	14.6 mm		
Style	Round		
Optic Material	PMMA		
Holder Material	-		
Fastening	""		
Status	Sample approved		

Product number FN15737_RONDA-WWW-B

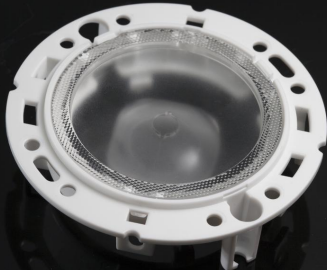
Family	Ronda	FWHM	(simulated) 90
Type	Assembly	Efficiency	87 %
LED	CXA/B 1816 & CXA/B 1820 & CXA 1850	cd/lm	-
Color	White	Gerber File	Available
Diameter	69.9 mm	BJB 47.319.2xxx 50mm / Stucchi 8xxx/G2 50mm / Ideal chip lok jr (50-20, 50-30) compatible	
Height	14.6 mm		
Style	Round		
Optic Material	PMMA		
Holder Material	-		
Fastening	""		
Status	Sample approved		

**Product number FN15789_RONDA-REC-90**

Family	Ronda	FWHM	(simulated) 85
Type	Pack	Efficiency	(simulated) 90 %
LED	CXA/B 1816 & CXA/B 1820 & CXA 1850	cd/lm	(simulated) 0.000
Color	Clear	Gerber File	Available
Diameter	69.9 mm	Developed especially for office applications.	
Height	14.6 mm		
Style	Round		
Optic Material	PMMA		
Holder Material	-		
Fastening	""		
Status	Sample approved		

**Product number FCN15790_RONDA-REC-90**

Family	Ronda	FWHM	(simulated) 90
Type	Pack	Efficiency	(simulated) 90 %
LED	CXA/B 1816 & CXA/B 1820 & CXA 1850	cd/lm	(simulated) 0.000
Color	Clear	Gerber File	Available
Diameter	69.9 mm	Developed especially for office applications.	
Height	19.8 mm		
Style	Round		
Optic Material	-		
Holder Material	-		
Fastening	""		
Status	Sample approved		

**Product number FN15792_RONDA-REC-90-B**

Family	Ronda	FWHM	(simulated) 90
Type	Pack	Efficiency	(simulated) 90 %
LED	CXA/B 1816 & CXA/B 1820 & CXA 1850	cd/lm	(simulated) 0.000
Color	Clear	Gerber File	Available
Diameter	69.9 mm	Developed especially for office applications.	
Height	14.6 mm		
Style	Round	BJB 47.319.2xxx 50mm / Stucchi 8xxx/G2 50mm /	
Optic Material	PMMA	Ideal chip lok jr (50-20, 50-30) compatible	
Holder Material	-		
Fastening	""		
Status	Sample approved		

**Product number FCN15793_RONDA-S**

Family	Ronda	FWHM	(simulated) 29
Type	Assembly	Efficiency	(simulated) 85 %
LED	CXA/B 1816 & CXA/B 1820 & CXA 1850	cd/lm	(simulated) 2.550
Color	White	Gerber File	Available
Diameter	69.9 mm		
Height	19.8 mm		
Style	Round		
Optic Material	-		
Holder Material	-		
Fastening	["screw", "socket"]		
Status	Sample approved		



PRODUCT DATASHEET

Ronda series

last update 26/1/2017

NOTE: The typical divergence will be changed by different color, chip size and chip position tolerance. The typical total divergence is the full angle measured where the luminous intensity is half of the peak value.



PRODUCT DATASHEET

Ronda series

last update 26/1/2017

GENERAL INFORMATION

- Product series especially designed & optimized for CXA/B 1816 & CXA/B 1820 & CXA 1850 series of LEDs.
- Special care taken to make light distribution as uniform as possible.
- Lens material optical grade PMMA with high UV and temperature resistance. Allows use of high current and temperature conditions.

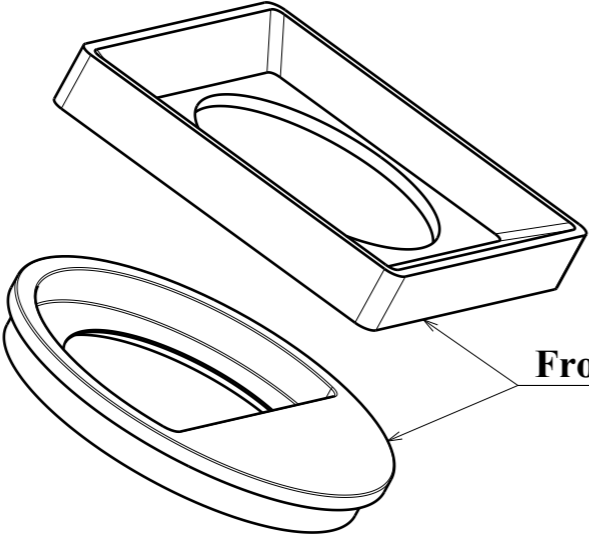
Please find more information about used material from below:

http://ledil.fi/sites/default/files/Documents/Technical/Material/PMMA%20N%20UL94_Yellow%20Card.pdf

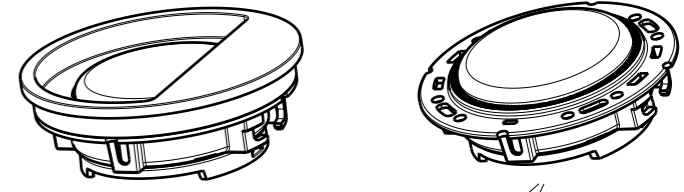
<http://ledil.fi/sites/default/files/Documents/Technical/Material/PMMA%20N%20PLEXIGLAS-Datasheet.pdf>

Note! Due to use of high power COB's with this product, special attention to proper thermal design is highly recommended. LEDiL has no liability for direct, indirect or consecutive damages arising from the LEDiL products being used outside of the recommended temperature range.

H G F E D C B A

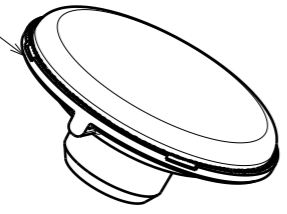


Front plate examples



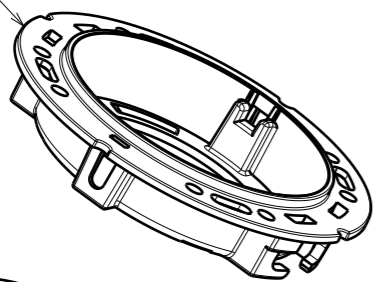
Examples

D=49.9

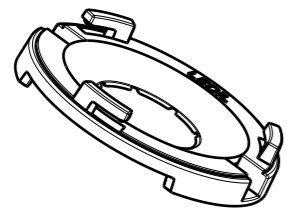


Optic

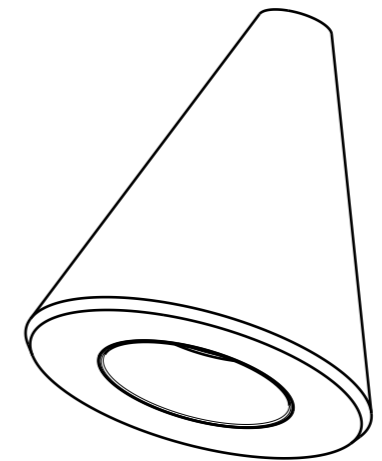
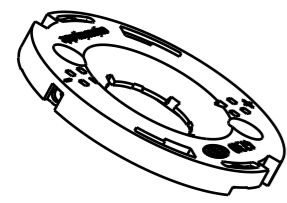
D=69.9mm



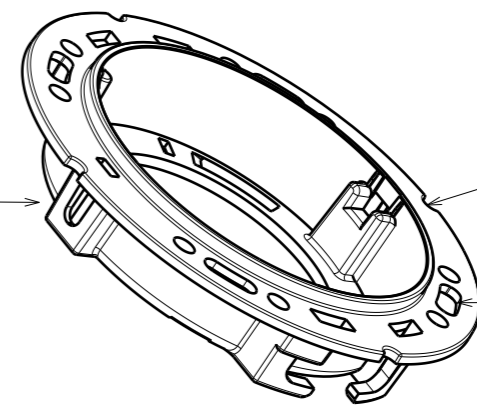
Ledil-clamp / TE / Bender-wirth / other twist and lock socket types (holder A)



BJB and Stucchi 50mm (holder B)



Horizontal fix: M3 Nut + bolt



Rotation fix

Vertical fix: M3 Screw / Twist and lock / Snap



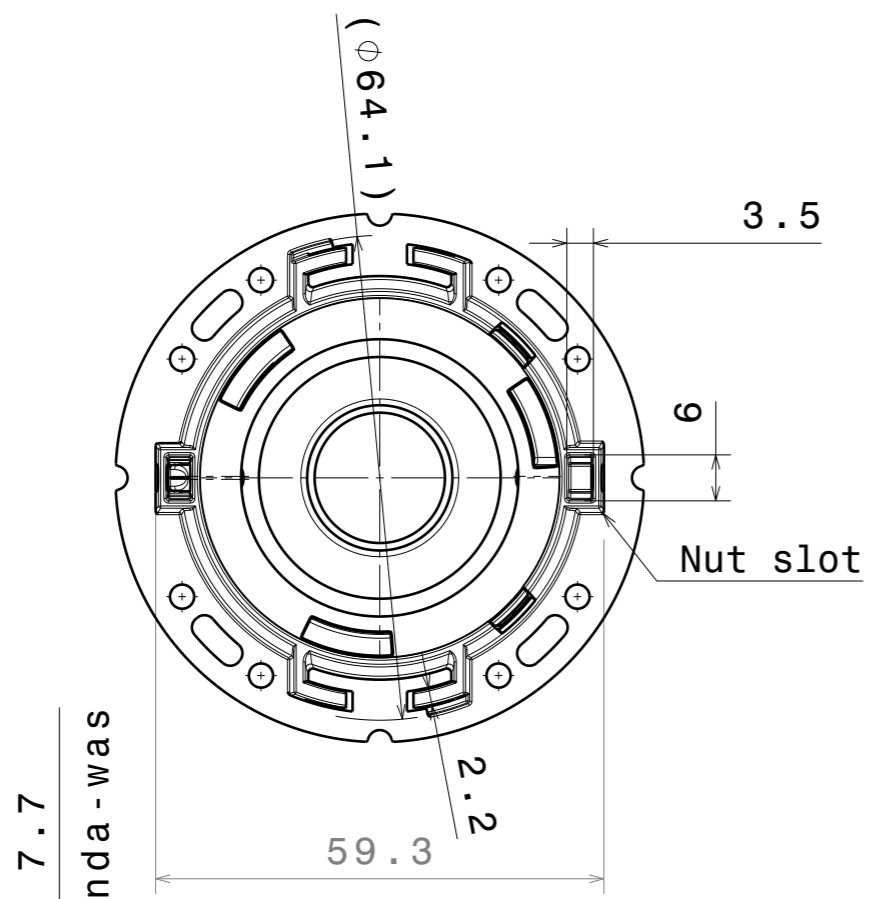
LES size up to ~14mm, see compatibility www.ledil.com

See more details on page 2 and 3

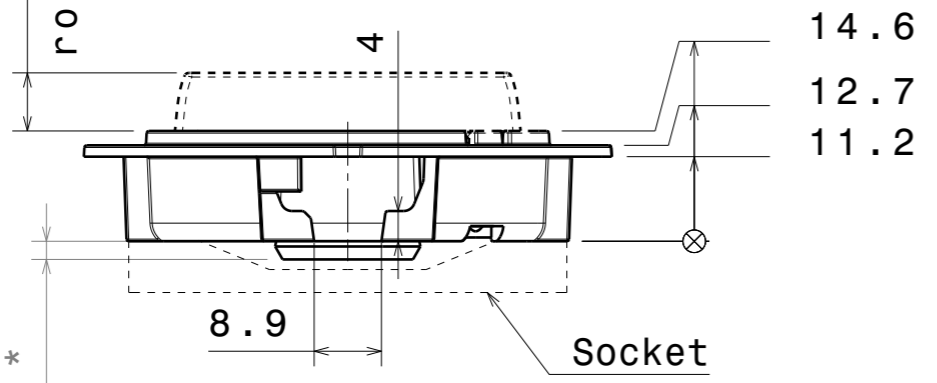
Tolerances if not otherwise shown According to DIN ISO 2768-1 Linear measures: up to 30mm class M, otherwise class C According to DIN ISO 2768-2 Form and position: class L		LEDiL Ledil Oy Salorankatu 10 FIN 24240 SALO Finland	
THIRD ANGLE PROJECTION:		DRAWING TITLE RONDA-family	
This drawing is the property of LEDiL Oy. It may not be reproduced, copied or communicated without a written agreement with LEDiL Oy.		SIZE A3	PART NUMBER -
		SCALE 1:1	WEIGHT -
		SHEET 1/3	

H G B A

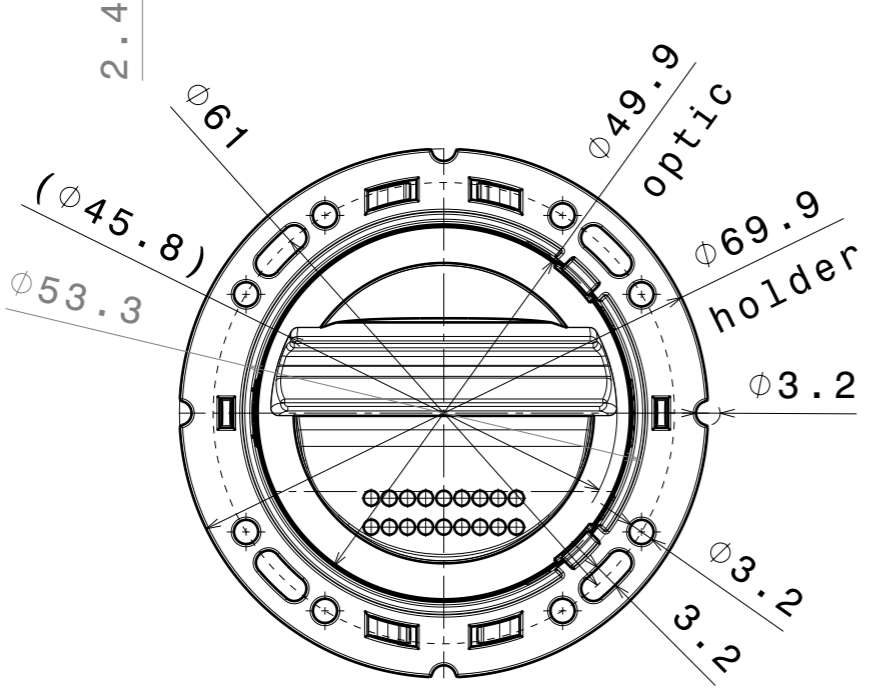
Bottom view



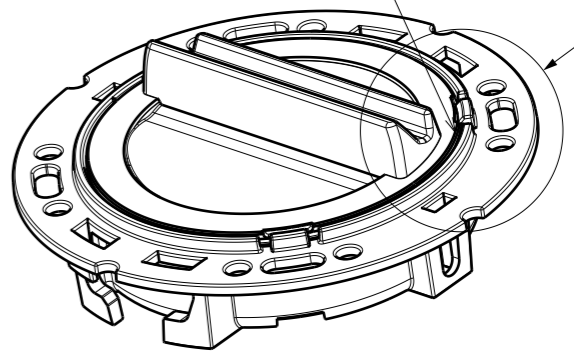
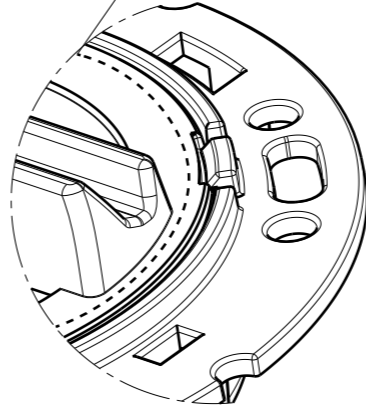
Front view



Top view



Front panel location suggestion when seamless look needed



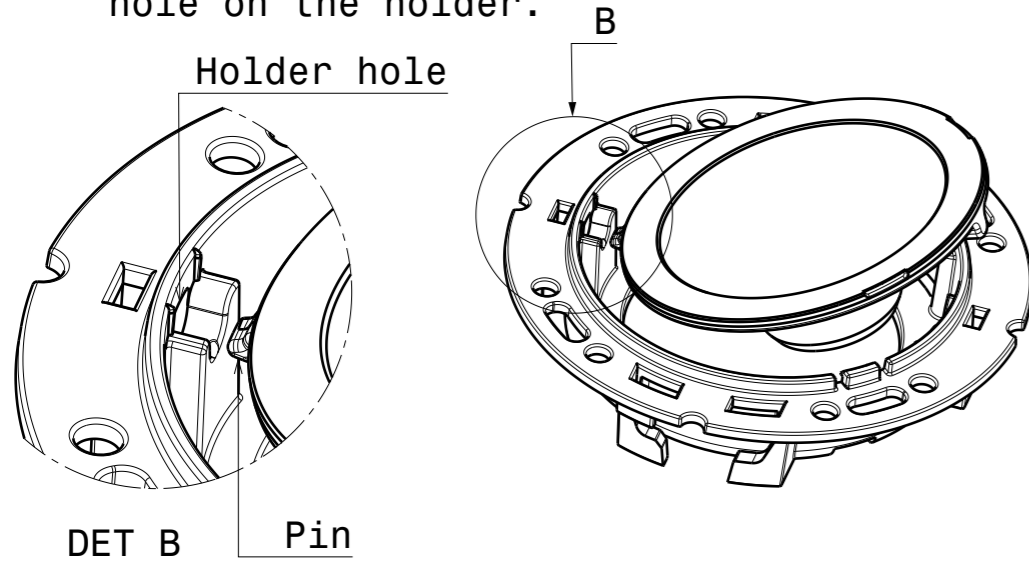
Isometric view

* Ensure from 3d according specific optic version

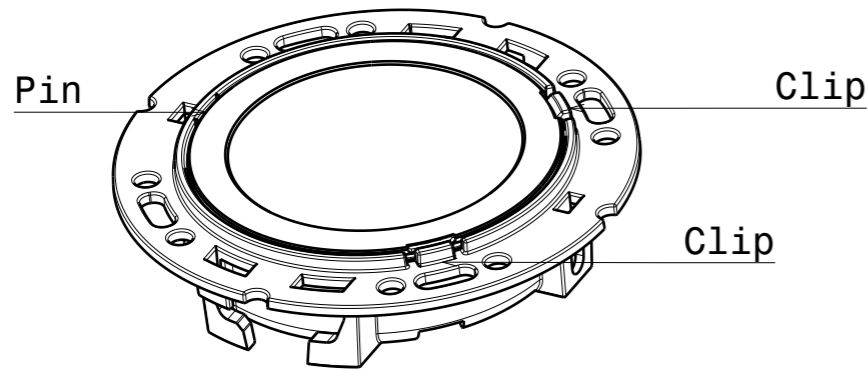
Tolerances if not otherwise shown According to DIN ISO 2768-1 Linear measures: up to 30mm class M, otherwise class C According to DIN ISO 2768-2 Form and position: class L		LEDiL Ledil Oy Salorankatu 10 FIN 24240 SALO Finland	
THIRD ANGLE PROJECTION:		DRAWING TITLE RONDA-family	
This drawing is the property of LEDiL Oy. It may not be reproduced, copied or communicated without a written agreement with LEDiL Oy.		SIZE A3	PART NUMBER -
		SCALE 1:1	WEIGHT -
		SHEET 2/3	

OPTIC/HOLDER ASSEMBLY

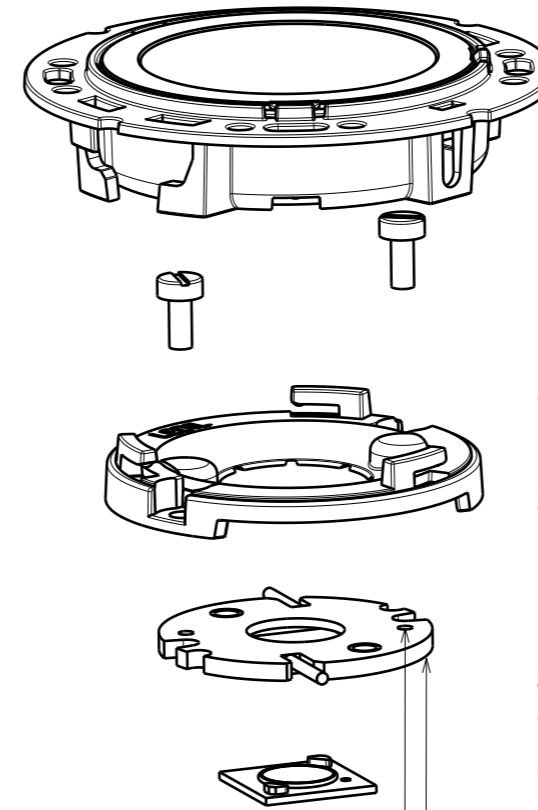
1. Place pin on the side of the lens into relative hole on the holder.



2. Press the lens under clips on the holder, ensuring both clips are fixed.



TYPICAL CONNECTOR ASSEMBLY (including solderless BENDER WIRTH as example)



1. Ensure correct relation of clamp and connector before screwing. Recommended torque 0.6Nm.

2. Assemble LED, BENDER&WIRTH connector and C13658_CLAMP-VER013-18 clamp on heatsink with M3 screw.

3. Attach optic by aligning the holes in the holder with hooks and turning the optic holder clockwise until it locks.

Bender&Wirth model 4xx Typ L1

Align clamp positioning pin with holes in the connector.

Tolerances if not otherwise shown
According to DIN ISO 2768-1
Linear measures:
up to 30mm class M, otherwise class C
According to DIN ISO 2768-2
Form and position: class L

LEDiL LediL Oy
Salorankatu 10
FIN 24240 SALO
Finland

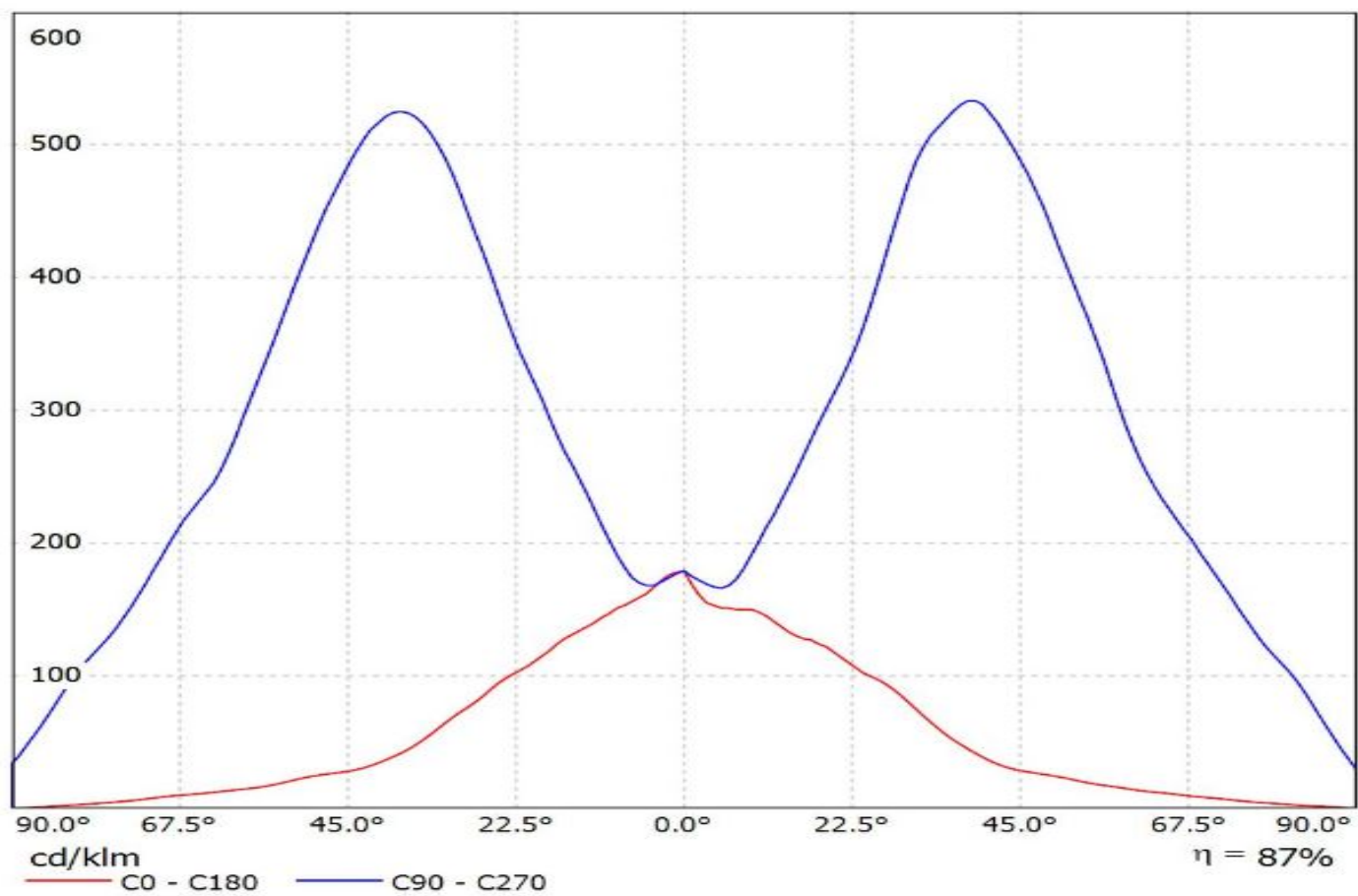
THIRD ANGLE PROJECTION:

DRAWING TITLE
RONDA-family

This drawing is the property of LEDiL Oy. It may not be reproduced, copied or communicated without a written agreement with LEDiL Oy.

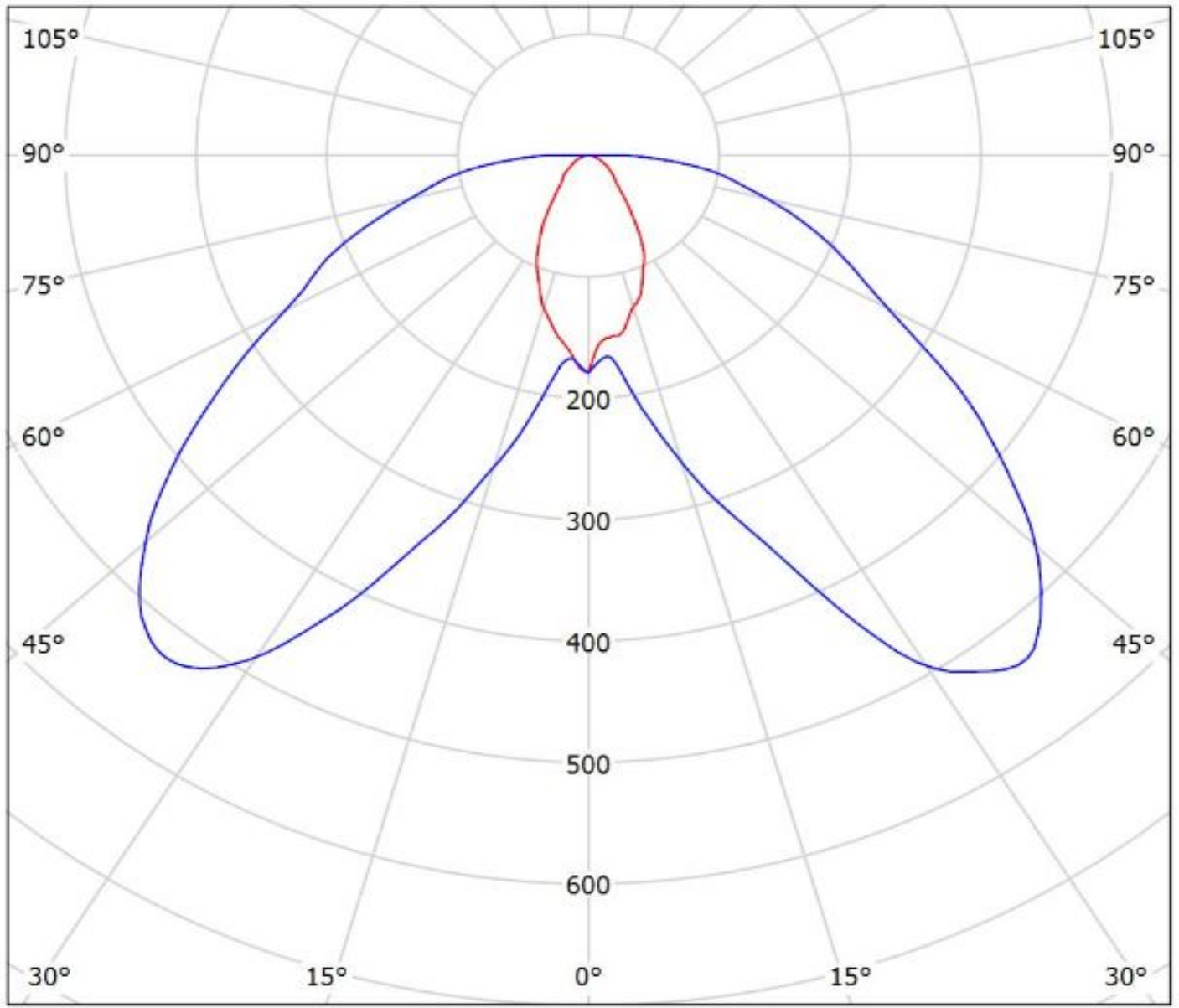
SIZE	PART NUMBER		
A3	-		
SCALE	1:1	WEIGHT	-
SHEET		3/3	

Luminaire: FCN15357_RONDA-ZT45_CXA1816_SIMULATED_1000LM
Lamps: 1 x 1000lm



Luminaire: FCN15357_RONDA-ZT45_CXA1816_SIMULATED_1000LM

Lamps: 1 x 1000lm



cd/klm

— C0 - C180 — C90 - C270

$\eta = 87\%$